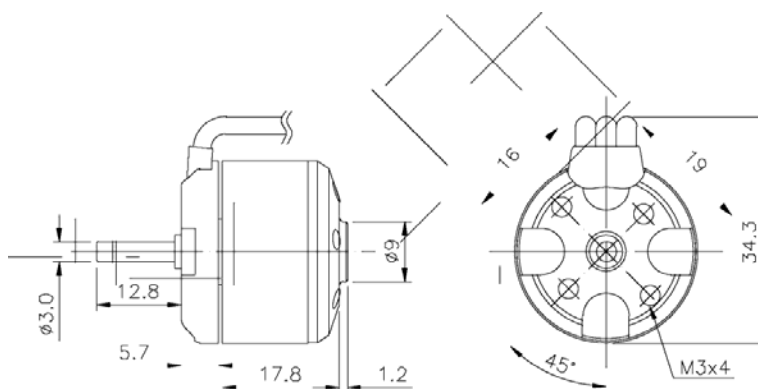


RCmart International, Inc.

BLM-12mm– KV 1,300 Specification Outrunner Brushless Motor 12mm	
No. Of cells	6-10
RPM/V	2 - 3x Li-Poly 1,300 RMP/V
Max. efficiency	82%
Max. efficiency current	8 - 15 A (>75%)
Internal Resistance	220 mohm
No load current / 10 V	0,90 A
Current capacity	16 A/60 s
Dimensions	27,7x30 mm
Shaft diameter	3,17 mm
Weight with cables	57 g
Recomended model weight	300 - 800 g
Recomended prop without gearbox	7 cells (2xLi) 9,5"x5" 8 cells 9"x5" 10 cells 8,5"x6" 3xLi 8"x4"



Unit: mm