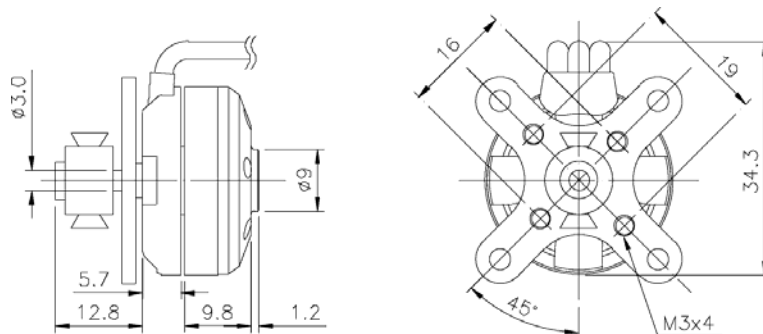


RCmart International, Inc.

BLM-4mm– KV 1,600 Specification Outrunner Brushless Motor4mm - Super Lighth

No. Of cells	6-7
RPM/V	2 - 3x Li-Poly 1600 RMP/V
Max. efficiency	78%
Max. efficiency current	4 - 9 A (>67%)
Internal Resistance	370 mohm
No load current / 10 V	0,55 A
Current capacity	10.5 A/30 s
Dimensions	27,5x22.5 mm
Shaft diameter	3,17 mm
Weight with cables	22,9 g
Recomended model weight	100 - 380 g
Recomended prop without gearbox	3x Li-Poly 7,5"x3,5" 3x Li-Poly 8"x4" 2x Li-Poly 9"x5"



Unit: mm