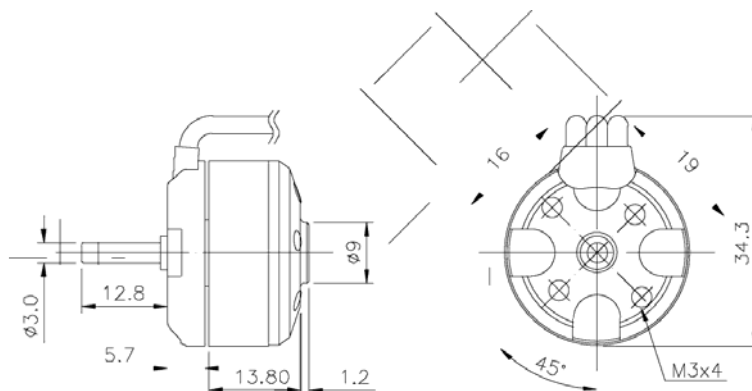


RCmart International, Inc.

BLM-8mm– KV 1,350 Specification Outrunner Brushless Motor 8mm	
No. Of cells	4-8
RPM/V	2 - 3x Li-Poly 1,350 RMP/V
Max. efficiency	82%
Max. efficiency current	7 - 10 A (>75%)
Internal Resistance	270 mohm
No load current / 10 V	0,7 A
Current capacity	12.5 A/60 s
Dimensions	27,7x26 mm
Shaft diameter	3,17 mm
Weight with cables	45 g
Recomended model weight	300 - 600 g (heli up to 500g)
Recomended prop without gearbox	2xLi 10"x5" 3xLi 9"x5" 10 cells 8,5"x5"



Unit: mm