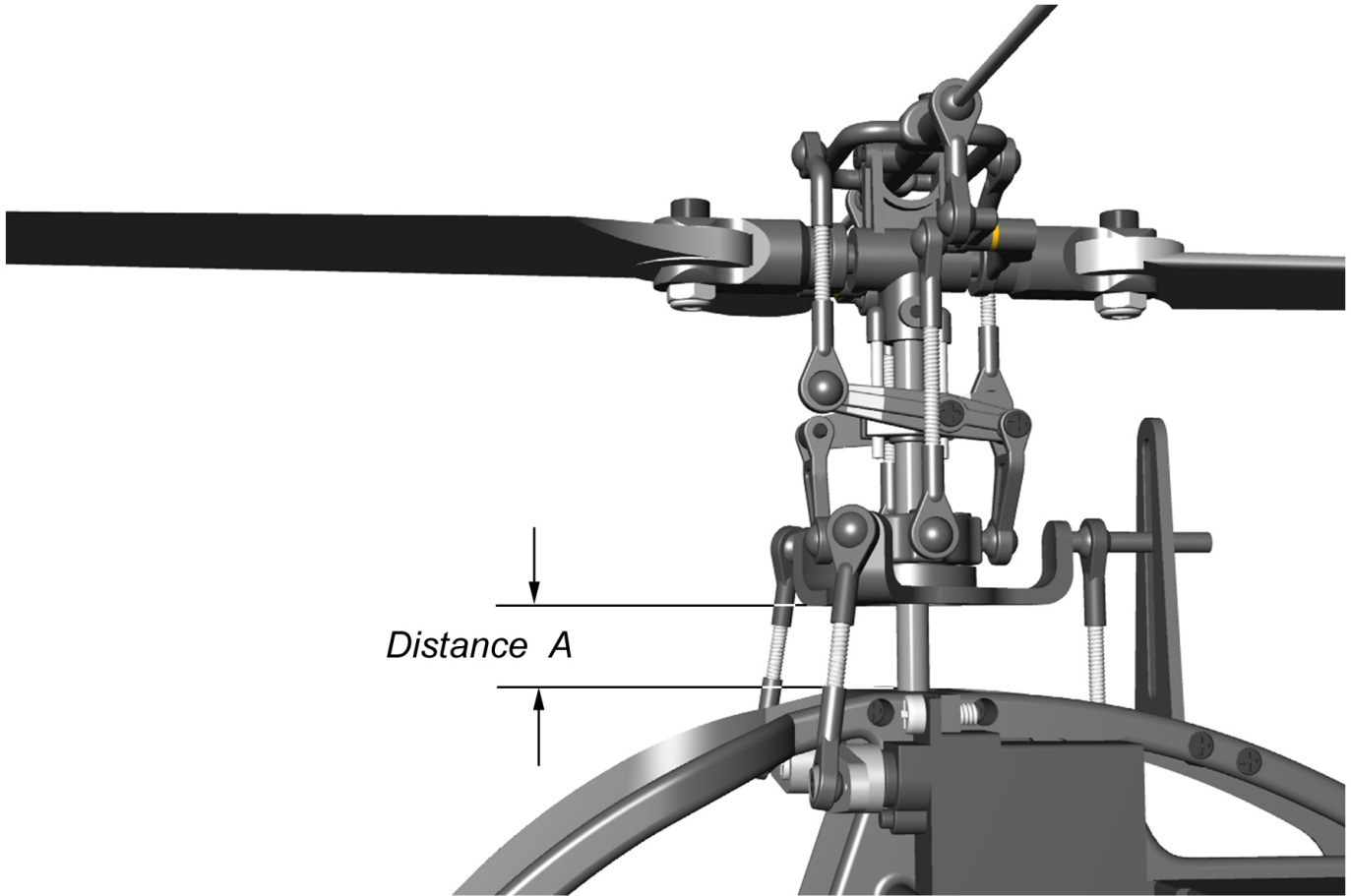


Pitch Setting



		<i>Distance A</i>	<i>Pitch Degrees</i>
(Positive) ↑	(Brushless)	12 mm	+11 ~ +12
	(Brushed)	11 mm	+8 ~ +9
	(Hovering Point)	10 mm	+7 ~ +8
↓ (Negative)	(Brushless)	8 mm	0 degree
	(Brushed)	5 mm	-8 ~ -9
	(Brushless)	4 mm	-11 ~ -12

IMPORTANT :

The data above varies according to the types of motor, pinion gear and battery .